

**SONY**

Hi-Fi Products  
Service Bulletin

Sony Service Company - Technical Services  
A Division of Sony Corporation of America  
Sony Drive, Park Ridge, New Jersey 07656

**Model:** TA-808M

**No.** 204R1

**Subject:** Change In The Regulator Board

**Date:** September 30, 1991

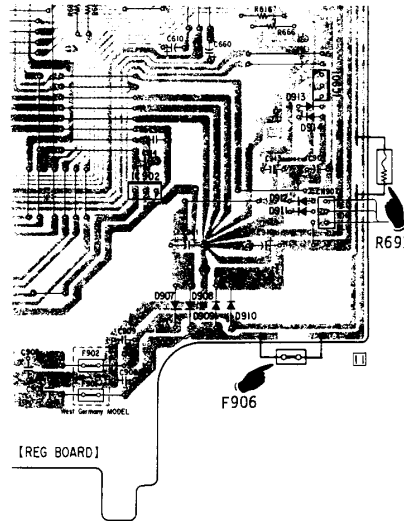
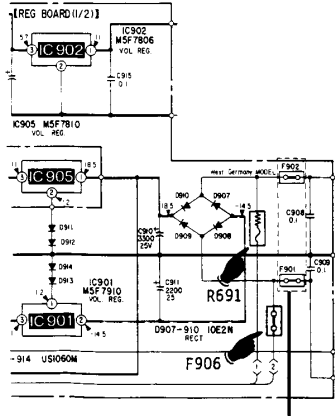
This bulletin supersedes Hi-Fi Products Service Bulletin No.204

**Symptom:**  
(\*\*)

Two additional components have been added to the regulator board (P/N A-4394-461-A) without changing the board's part number.

**Solution:** Please make the following changes in your Service Manual.

REFERENCE NUMBER	DESCRIPTION	PART NUMBER
F906	125V, 2.5A FUSE	1-532-783-21
R691	10 OHM 1/4 W FUSABLE RESISTOR	1-212-857-00



CSA-13 Integrated Amp

Reference: FPR #M0899

PRINTED IN U.S.A.  
CSA-13991-11